

Super 88

Instruction Manual

Models #2488EX, #2489EX
and #2489BNX



 **GOLD MEDAL**[®]
FUNFOOD EQUIPMENT & SUPPLIES
CINCINNATI, OH 45241-4087 USA

Safety Precautions



⚠ CAUTION

This equipment is designed and sold for commercial use only. This equipment is not to be used by the consumer in home use. Do not allow direct contact of this equipment by the public when used in food service locations. Only personnel trained and experienced in the equipment operation may operate this equipment.
Carefully read all installation instructions before operating the equipment.



⚠ WARNING

Always wear safety glasses when servicing this equipment.



⚠ WARNING

To avoid serious burns, do NOT touch the kettle while it is hot.



⚠ WARNING

Any alterations to this equipment will void the warranty and may cause a dangerous situation. NEVER make alterations to the equipment.
Make sure all machine switches are in the OFF position before plugging the equipment into a receptacle.



⚠ DANGER

Machine must be properly grounded to prevent electrical shock to personnel.
Do NOT immerse the kettle, warmer, or any other part of this equipment in water.
Always unplug the equipment before cleaning or servicing.

NOTE

The information, specifications and illustrations contained in this manual represent the latest data available at time of publication. Right is reserved to make changes as required at the discretion of Gold Medal Products Company without notice.

INSTALLATION

Your new popcorn machine comes completely assembled with the exception of knobs and rubber feet. Remove all packing material and tape before starting operation.

ELECTRICAL REQUIREMENTS

Standard voltage for all models is 230 Volt, 50 Hz.

CONTROLS AND THEIR FUNCTION

There are three switches on the popper.

LIGHT AND WARMER SWITCH

Turns on heat to bottom corn pan and light.

KETTLE MOTOR SWITCH

Turns on motor which drives kettle agitator shaft.

KETTLE HEAT SWITCH

Turns on heat element.

POPPING INSTRUCTIONS

1. Turn kettle heat and kettle motor switch "ON."
2. Make test pop with 3 kernels of corn and 30ml of oil.
3. Load pre-measured popcorn and oil pouch into kettle.
4. When corn has finished popping, dump kettle.
5. Repeat cycle starting with #3; always pop 3 to 5 batches for best popcorn.

AMOUNT OF POPCORN AND OIL

Your new popper is equipped with a 178ml corn measure cup. Popcorn popped in coconut oil stays fresher longer. Coconut oil does not leave black deposits in your kettle like other oils.

Corn charge --- 237ml (8 ounces)

Oil charge --- 60ml (2 ounces)

Flavacol --- 8cc (1 tablespoon)

ACCESSORIES


49026	Shipping Carton
47147	Corn Measure Cup
47145	A-scoop
47678	Flavacol Cup

CARE AND CLEANING


Each time you finish popping, wipe the outside of the kettle with a soft cloth to remove any oil drips. (Be careful kettle is extremely hot.) Do not let oil burn on. After you finish popping for the day, allow kettle to cool until it is not too hot to handle, but still warm. Unplug kettle and remove it from the machine. With a cloth, wipe the inside of the kettle, kettle lid, crossbar, outside and underneath of the kettle. Never immerse any portion of the kettle in water. Never flood cabinet with water during cleaning.

Cleaning the cabinet of your machine is easy. Take a clean cloth and wipe excess grease from glass. Also wipe the outside of the machine.

MAINTENANCE INSTRUCTIONS

	⚠ CAUTION
	THE FOLLOWING SECTIONS OF THIS MANUAL ARE INTENDED ONLY FOR QUALIFIED SERVICE PERSONNEL WHO ARE FAMILIAR WITH ELECTRICAL EQUIPMENT. THESE ARE NOT INTENDED FOR THE OPERATOR.

	⚠ WARNING
	Adequate eye protection must be used when servicing this equipment to prevent the possibility of injury.

	⚠ DANGER
	Do NOT immerse the equipment in water. Unplug your machine before servicing.

ORDERING SPARE PARTS

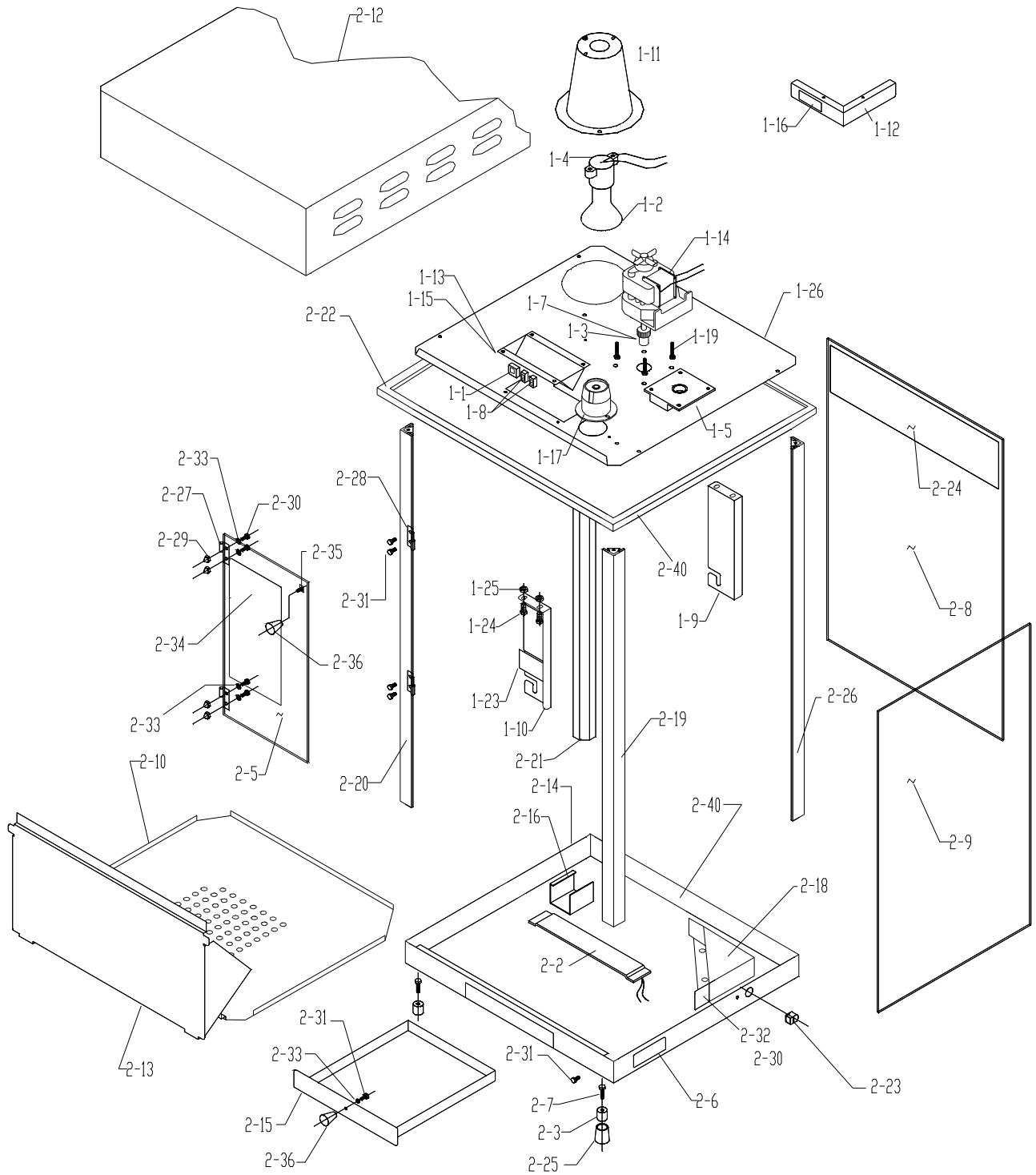
1. Identify the desired part by checking it against the photos, illustrations, and/or the parts list.
2. When ordering, please include part number, part name, and quantity desired.
3. Please include your model name and machine serial number (located on the machine nameplate) with your order.
4. Address all parts orders to:

Parts Department
Gold Medal Products Co.
10700 Medallion Drive
Cincinnati, Ohio 45241-4807

or, place orders at:

(513) 769-7676
(800) 543-0862
Fax: (513) 769-8500
E-mail: goldme19@eos.net

CABINET ASSEMBLY



PARTS LIST

HANGER ASSEMBLY

This part list is for all models.

Item No	Part No	Description
1-0	61051EX	Complete Hanger Assembly
1-1	42798	Switch - Kettle
1-2	49033	Reflector Flood Light
1-3	41742	Set Screw #10-32 x 3 /16"
	47004	Pop Rivet, Closed End
1-4	47047	Lamp Holder
1-5	67194NM	Gear Box w/ Bushing
1-7	47060	Spur Gear
1-8	42532	Switch - Light and Warmer
1-9	61049	Front Hanger Arm
1-10	61050	Rear Hanger Arm
1-11	49480	Light Shield - Conical
1-12	47799	Light Shield Angle
1-13	48501	Switch Box
1-14	47067	Kettle Drive Motor
1-15	48502	Label, Switches
1-16	41452	Warning, Max Lamp 75W
1-17	49477	Receptacle
1-18	74146	Hex Nut #8-32 Eslok
1-19	89125	#10-24 x 1 Hex Mach Screw
1-20	74150	Washer #8 Internal Tooth *
1-21	74149	Hex Nut #8-32
1-22	74141	Screw #8-32 x 3 /8" PH PHIL *
1-23	87087	Label, Caution Hot
1-24	14821	Bolt 1/4-20 x 1/2" Hex HD
1-25	74133	1/4-20 Hex Nut
1-26	59062	Motor Plate

* Not Shown

PARTS LIST CABINET ASSEMBLY

Item No.	Model #2085EX	Model #2086EX	Description
	Part No.	Part No.	
2-0	49589	49601	Complete Cabinet Assembly
2-1	42369	42369	Lead-In Cord *
2-2	49442	49442	Heat Element 50 Watt
2-3	47328	47328	Glide
2-4	47561	47561	Magnetic Catch
2-5	49395	49395	Door
2-6	76097	76097	Label, Unplug to Clean *
2-7	41314	41314	#10-24 x 3/4" Hex Head Screw
2-8	49519	49519	Front Glass, Tempered
2-9	49518	49518	Side Glass, Tempered
2-10	49506	49506	Bottom Corn Pan
2-11	49091	49091	Wire Duct
2-12	49452	49450	Top Pan
2-13	49145	49145	Drop Panel
2-14	49166	49097	Bottom Pan
2-15	49100	49100	Old Maid Pan
2-16	49425	49425	Strip Heater Bracket
2-17	49104	49104	Cover, Corner Cover
2-18	49105	49105	Corner Cover
2-19	49514	49605	Right Rear Corner Post
2-20	49513	49603	Left Rear Corner Post
2-21	49516	49607	Left Front Corner Post
2-22	74164	49608	Glass Extrusion 16 9/32" LG (2 Req)
2-23	76026	76026	Strain Relief #SR-6P3-4
2-24	49158	77506	Decal, Front Glass
2-25	49123	49123	Crutch Tip
2-26	49515	49606	Right Front Corner Post
2-27	41359	41359	Left Female Hinge NM
2-28	41360	41360	Left Male Hinge NM
	41373	41373	Right Female Hinge NM *
	41374	41374	Right Male Hinge NM *
2-29	47702	47702	#8-32 Acorn Nut
2-30	74141	74141	#8-32 x 1/2" Panhead Phillips
2-31	49379	49379	#8-32 x 1/2" Hex Head
	77095	77095	Neoprene Washer *
2-32	74149	74149	#8-32 Hex Nut *
2-33	74150	74150	#8 Internal Tooth Washer
2-34	41019	41019	Universal Popper Decal
2-35	75267	75267	Tee Bolt

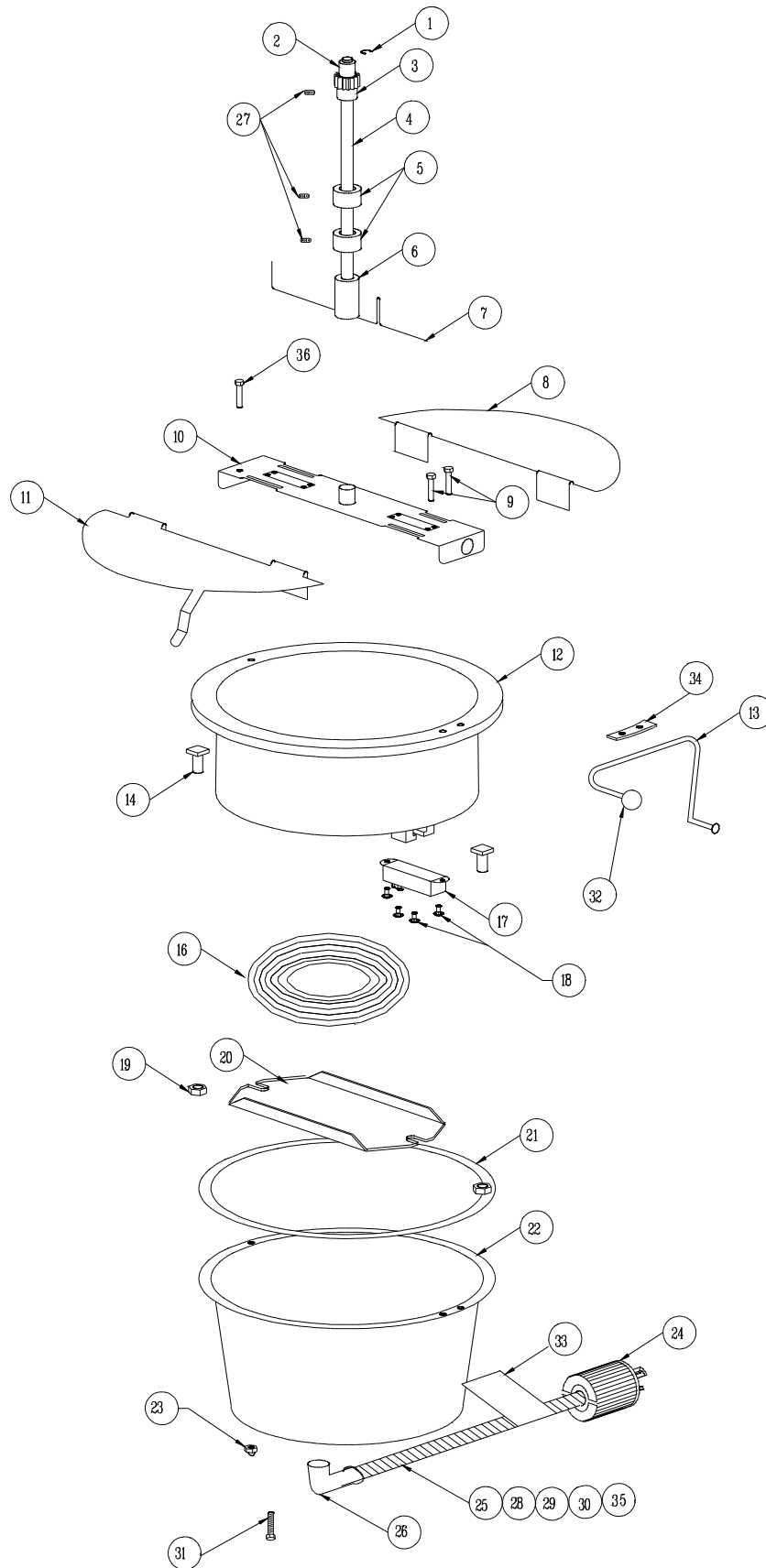
* Not Shown

PARTS LIST CABINET ASSEMBLY

Item No.	Model #2488 Part No.	Model #2489 Part No.	Model #2489BN Part No.	Description
2-36	47120	47120	47120	Knob
2-37	61036	49509	49509	Rigid Glass Channel 26 1/8" LG. (6 Req) *
2-38	49213	49510	49510	Rigid Glass Channel 13 1/8" LG (2 Req) *
2-39	49214	49511	49511	Rigid Glass Channel 15 1/8" LG (1 Req) *
2-40	49345	49062	49062	Bottom Frame Assembly
2-41	77089	77089	77089	Mount Brack Mag Catch *
2-42	76190	76190	76190	Screw #10-24 x 3/4" Hex Hd *
2-43	49322	49322	49322	#10-24 x 1" Hex Hd MS *
2-44	74153	74153	74153	Screw #8-32 x 1 Hex *
2-45	61037	61037	61037	Rear Glass Retain Strip *
2-46	61038	61038	61038	Front Glass Retain Strip *

* Not Shown

KETTLE ASSEMBLY



PARTS LIST

KETTLE ASSEMBLY

This list is for all models.

Item No.	Part No.	Description
	61054EX	8 Oz. Kettle Complete
	61055EX	8 Oz. Lid & Agitator Assembly
	61057EX	8 Oz. Kettle Bottom Only
1	47107	C- Ring
2	47106	Needle Bearing
3	47059	Spur Gear
4	49577	Agitator Shaft Assembly
5	47326	Set Collar
6	49013	Agitator Weight
7	49011	Stir Rod
8	47119	Rear Kettle Lid
9	89125	Screw #8-32 x 3/4" Hex HD
10	61010EX	Crossbar Assembly
11	47261	Front Lid With Lifter
12	61019	Kettle Welded Assembly
13	49571	Dump Handle RH
14	49446	Bolt 5 /16 -18 x 5 /8 " Square HD
16	47672	Heat Element 1350W
17	76089	Thermostat
18	49136	Screw #6-32 x 3 /16 " Pan HD MS SS
19	49317	5 /16 -18 Serrated Lock Nut
20	49310	Element Retainer Bracket
21	61012	Kettle Gasket
22	61017	Kettle Shell
23	47702	Acorn Nut #8-32
24	49329	Kettle Plug
25	82107-24	Flexible Conduit
26	46241	90 Degree Connector
27	41742	Set Screw #10-32 x 3/16" (3 Req)
28	49119	Red Kettle Wire Assembly
29	49535	White Kettle Wire Assembly
30	49536	Green Kettle Wire Assembly
32	47110	Knob, Dump Handle
33	49350	Caution Label
34	49362	Dump Handle Spacer
35	82135	Bushing, Conduit
37	61030	Kettle Lead-In Cord Assembly *

* Includes Item No. 24-26, 28-30, 33, and 35

WARRANTY

WE WARRANT to the original purchaser the Gold Medal equipment sold by us to be free from defects in material or workmanship under normal use and service. Our obligation under this warranty shall be limited to the repair or replacement of any defective part for a period of six (6) months from the date of sale to the Original Purchaser with regard to labor and two (2) years with regard to parts and does not cover damage to the equipment caused by accident, alteration, improper use, voltage, abuse, or failure to follow instructions.

THIS WARRANTY IS IN LIEU OF ALL OTHER WARRANTIES EXPRESSED OR IMPLIED, AND OF ALL OTHER OBLIGATIONS OR LIABILITIES ON OUR PART, INCLUDING THE IMPLIED WARRANTY OF MERCHANTABILITY. THERE ARE NO WARRANTIES WHICH EXTEND BEYOND THE DESCRIPTION ON THE FACE HEREOF. We neither assume, nor authorize any other person to assume for us, any other obligation or liability in connection with the sale of said GOLD MEDAL equipment or any part thereof.

The term "Original Purchaser" as used in this warranty shall be deemed to mean that person, firm, association, or corporation who was billed by the GOLD MEDAL PRODUCTS COMPANY, or their authorized distributor for the equipment.

THIS WARRANTY HAS NO EFFECT AND IS VOID UNLESS THE ORIGINAL PURCHASER FIRST CALLS GOLD MEDAL PRODUCTS COMPANY AT 1-800-543-0862 TO DISCUSS WITH OUR SERVICE REPRESENTATIVE THE EQUIPMENT PROBLEM, AND, IF NECESSARY, FOR INSTRUCTIONS CONCERNING THE REPAIR OR REPLACEMENT OF PARTS.

NOTE: This equipment is manufactured and sold for commercial use only.



GOLD MEDAL PRODUCTS COMPANY
10700 Medallion Drive
Cincinnati, Ohio 45241-4807 USA